

LAUNCHPORT



The world's first inductive charging and mounting system for iPad

WallStation

LAUNCHPORT *WallStation*

The LaunchPort WallStation provides a home for your iPad on the wall. It securely mounts and charges your iPad using a LaunchPort PowerShuttle. The WallStation was designed so that anyone can install one in their home. The WallStation uses inductive charging and magnetic mounting, providing effortless mounting and charging, without wires. The LaunchPort WallStation transforms your wall into an information center, gallery, video conferencing center, or whatever else you can imagine.

WallStation Features:

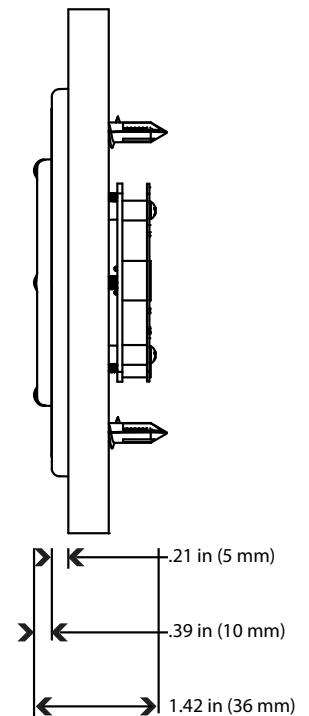
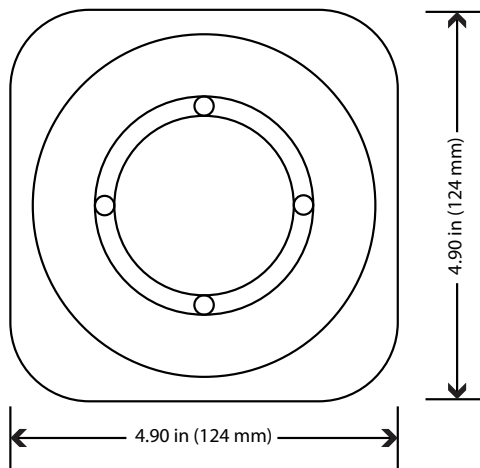
- * Wireless Inductive charging and mounting for iPad 2
- * Magnetic wall mounting station
- * Effortless mounting and removal
- * 360° rotation allows the iPad to be in either horizontal or landscape orientations while mounted
- * Maintains total iPad functionality while charging

WallStation Includes:

- * WallStation Assembly
- * Wall Plate
- * Anchors
- * Power Supply

Compatible With:

- * iPad 2



212 Avenida Fabricante | San Clemente | USA Set your iPad free at www.launchport.com